

# Type B xxx/60

Snowplough



**Art.Nr.: 10040218**

**21.12.2012 | Version 1.0 | EN**

Kugelmann Maschinenbau e.K.  
Gewerbepark 1-5  
87675 Rettenbach a.A.  
GERMANY

[www.kugelmann.com](http://www.kugelmann.com)  
[office@kugelmann.com](mailto:office@kugelmann.com)  
+49 (0) 8860 | 9190-0

\*

Kugelmann Maschinenbau is a family-run Allgäu business with its main emphasis and tradition in municipal technology. With passion, we manufacture reliable and pioneering machines - we love what we do.

## Copyrights and trademarks

© Kugelmann Maschinenbau e.K.

Gewerbepark 1-5

D – 87675 Rettenbach a.A.

Tel.: +49 (0) 8860 / 9190-0

Fax: +49 (0) 8860 / 9190-19

Mail: office@kugelmann.com

Web: www.kugelmann.com

All company names and designations used in this manual are possibly registered trademarks of the respective manufacturing companies and may not be used commercially or otherwise. Errors and omissions excepted.

All rights reserved; no part of this manual may be copied, reproduced or multiplied in any form (printing, photocopying, saving and/or distribution in electronic form) without express written permission of Kugelmann e.K.

We are constantly developing our products further to provide you with top comfort and convenience. We ask you to understand that the manual can therefore deviate from the product in some regards.

# Content

<b>1 General information.....</b>	<b>5</b>
1.1 Identification.....	5
1.2 Service information.....	6
1.3 EC Declaration of Conformity as defined by EC Machinery Directive 2006/42/EC.....	7
<b>2 User manual.....</b>	<b>8</b>
2.1 Target group.....	8
2.2 Application.....	8
2.3 Conventions.....	9
2.4 Change history.....	9
<b>3 General description.....</b>	<b>10</b>
3.1 Components.....	11
3.2 Intended use.....	13
3.3 Foreseeable misuse.....	13
<b>4 Safety information.....</b>	<b>14</b>
4.1 Basic safety information.....	14
4.2 Commissioning.....	15
4.3 Use.....	16
4.4 Maintenance.....	19
4.5 Labeling.....	21
<b>5 Commissioning.....</b>	<b>22</b>
5.1 Hitching the snowplough.....	22
5.2 Setting the work position.....	23
5.3 Setting the slide pads.....	24
<b>6 Use.....</b>	<b>25</b>
6.1 Checks before every use.....	25
6.2 Work speed and safety.....	25
6.3 Parking the snowplough.....	25
<b>7 Maintenance.....</b>	<b>26</b>
7.1 Maintenance intervals.....	26
7.2 Safety.....	26

---


8 Storage.....	27
9 Transport.....	28
10 Decommissioning.....	29
11 Technical data.....	30
12 Roller guide for wheel loaders.....	31
Index.....	33
Guarantee.....	35

# 1 General information

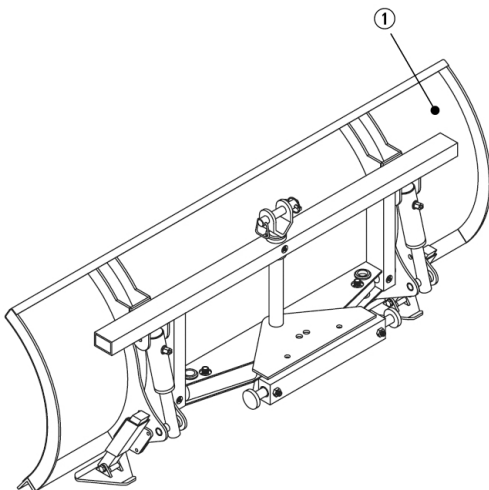
This chapter provides information on the following:

- Chapter 1.1 "Identification", page 5
- Chapter 1.2 "Service information", page 6
- Chapter 1.3 "EC Declaration of Conformity as defined by EC Machinery Directive 2006/42/EC", page 7

## 1.1 Identification

Type / type:	B xxx/60
Fabr.-Nr. / serial no:	2174
Art. / code:	
Baujahr / YOM:	2012
<a href="http://www.kugelmann.com">www.kugelmann.com</a> D-87675 Rettenbach a. A. Made in Germany	
	

The type plate for identification of the snowplough is located on the upper right of the back side of the main blade.



Pos. no.	Function
1	Location of the type plate

## **1.2 Service information**

Contact our customer service at:

Tel. ++49 (0) 8860 / 9190-90

Fax ++49 (0) 8860 / 9190-19

E-mail [service@kugelmann.com](mailto:service@kugelmann.com)

## **1.3 EC Declaration of Conformity as defined by EC Machinery Directive 2006/42/EC**



We hereby declare that the machine designated below, on the basis of its design and construction, as well as the version that we have placed on the market, complies with the relevant basic health and safety requirements of the EC Machinery Directive.

This declaration becomes invalid if the machine is modified without our prior consent.

Designation: Snowplough

Machine type: B xxx/60

Relevant EC Directives:

EN 292-1/292-2/294/349/1050/1553

Rettenbach a. A., October 2012

Josef Kugelmann

## 2 User manual

This chapter provides information on the following:

- Chapter 2.1 *"Target group"*, page 8
- Chapter 2.2 *"Application"*, page 8
- Chapter 2.3 *"Conventions"*, page 9
- Chapter 2.4 *"Change history"*, page 9

### 2.1 Target group

This user manual is written for qualified persons who are responsible for the following tasks on the snowplough:

- Commissioning
- Control
- Operation
- Use
- Maintenance

All personnel must be instructed in the operation of the snowplough at least once a year in accordance with the guidelines in the employer's liability insurance. Untrained or unauthorized persons are not permitted to operate the snowplough.

### 2.2 Application

This user manual contains all data and information necessary for the safe control, operation, and maintenance of the snowplough.

Read this user manual carefully and entirely before starting up the snowplough for the first time.

The user manual is part of the product and has to be stored safely. In the event of the snowplough being sold or otherwise transferred to third parties, the manual has to be included with the snowplough.





All information, images, and technical data are correct and up to date at the time of publishing. We reserve the right to make technical changes without notice.



Make sure that all persons who operate, maintain or work in the vicinity of the snowplough are familiar with the operating and maintenance regulations as well as with the safety instructions in this user manual.

## 2.3 Conventions

This manual uses the following typographic conventions:

Symbol	Signal word	Meaning
	Danger	Describes an imminently hazardous situation. Death or serious injury could result.
	Warning	Describes a situation that could possibly be hazardous. Death or serious injury could result.
	Caution	Describes a situation that could possibly be hazardous. Minor injuries or material damage could result.
	Advice	Contains useful information on correct handling of and conduct around the machine.

## 2.4 Change history

Date	Version	Change
12/21/2012	1.0	First edition

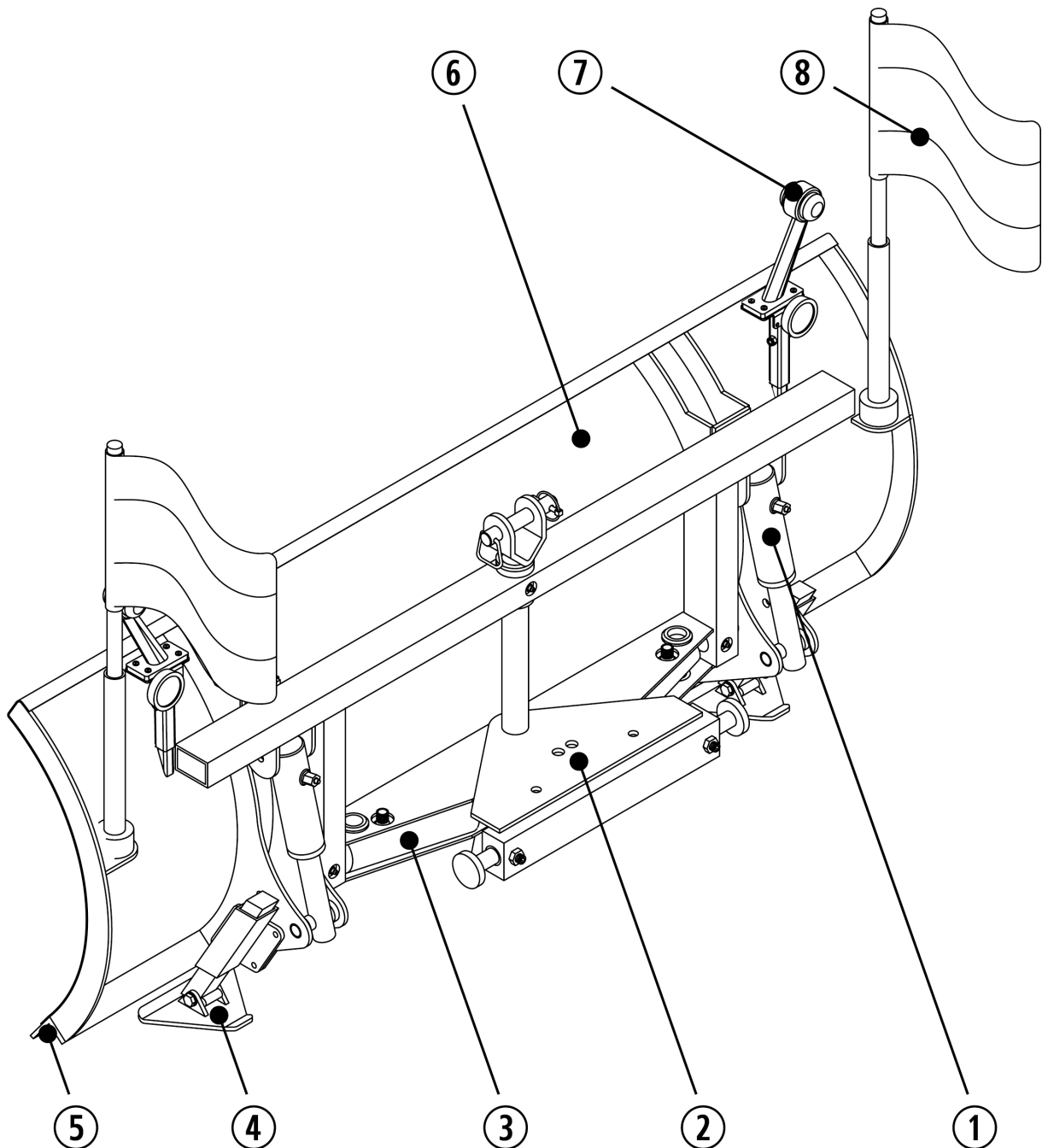
## **3 General description**

This chapter provides information on the following:

- Chapter 3.1 *"Components"*, page 11
- Chapter 3.2 *"Intended use"*, page 13
- Chapter 3.3 *"Foreseeable misuse"*, page 13

### 3.1 Components

The components of the snowplough can be found in the following illustration:



Pos. no.	Function
1	Gas pressure spring
2	Hitch block (depends on the vehicle)
3	Hydraulic swivel unit
4	Slide pad

5	Scraper blade
6	Main blade
7	Lighting (optional)
8	Blade guide flag (optional)

## 3.2 Intended use

Use the snowplough exclusively for ploughing snow.

Any other or additional use is to be considered non-intended use. The operator of the snowplough is liable for all damage resulting from non-intended use.

Only qualified, appropriately trained persons are permitted to operate, maintain, and repair the snowplough.

Intended use includes observance of the following:

- This user manual as well as all other supplied documentation
- Traffic rules
- Applicable accident prevention regulations
- The generally accepted regulations on safety and occupational health
- The user manual of the carrier vehicle.

## 3.3 Foreseeable misuse

The snowplough may not be used to transport persons or objects.

The snowplough may not be used as a lifting device.

## 4 Safety information

This chapter provides information on the following:

- Chapter 4.1 "Basic safety information", page 14
- Chapter 4.2 "Commissioning", page 15
- Chapter 4.3 "Use", page 16
- Chapter 4.4 "Maintenance", page 19
- Chapter 4.5 "Labeling", page 21

### 4.1 Basic safety information



#### Warning

Operation or maintenance of the snowplough by untrained persons.

Risk of serious injury.

- Ensure that any person who operates or performs maintenance on the snowplough has been trained in its handling and is therefore familiar with the safety instructions as well as the operation and maintenance instructions contained in this manual.
  - Ensure that all safety regulations are observed.
- 



#### Warning

Wearing loose clothing.

Risk of serious injury.

- Wear close-fitting clothes at all times.
- 



#### Warning

Disregarding instructions.

Risk of injury or death.

- Observe the accident prevention rules.
  - Observe the generally accepted regulations on occupational health and safety.
  - Observe the traffic rules.
  - Observe the general recommendations in this user manual.
-

**Caution**

Flammable residue.

Risk of injury or property damage.

- Keep the snowplough in a clean condition.
- 

**Caution**

Modifications of the snowplough.

Impairment of the function and risk of property damage.

- Do not make any modifications on the snowplough.
- 

## 4.2 Commissioning

---

**Danger**

Movement of the carrier vehicle while hitching the snowplough.

Risk of serious injury or death.

- Before hitching the snowplough, engage the carrier vehicle's parking brake, turn off the engine, and remove the ignition key.
  - Never stand between the carrier vehicle and the snowplough during the hitching.
  - Use only the supplied hitch block designed for the vehicle.
  - Attach and secure all locking pins and screws on the carrier vehicle.
- 

**Warning**

Hitching the snowplough to a defective carrier vehicle.

Risk of serious injury or death.

- Make sure that the carrier vehicle is in a safe and fault-free condition.
  - Make sure that the carrier vehicle is equipped with a brake mechanism suitable for driving with a snowplough attached.
  - Make sure that the carrier vehicle is capable of carrying the snowplough, and that the snowplough can be hitched.
-



### **Warning**

Movement of the snowplough when making hydraulic connections.

Risk of serious injury.

- Be sure to depressurize the hydraulic circuits of the carrier vehicle and the snowplough before making hydraulic connections.



### **Caution**

Commissioning without training.

Risk of injury or property damage.

- Have the commissioning carried out by staff from the dealer or the manufacturer, or by a representative from the factory.



### **Caution**

Commissioning without ensuring proper operating condition.

Risk of injury or property damage.

- Check all important components before commissioning.
- Replace any defective parts.

## **4.3 Use**



### **Danger**

Carrying persons on the snowplough.

Risk of serious injury or death.

- Do not carry persons on the snowplough.



**Danger**

Movement of the carrier vehicle while unhitching the snowplough.

Risk of serious injury or death.

- Before unhitching the snowplough, engage the carrier vehicle's parking brake, turn off the engine, and remove the ignition key.
  - Never stand between the carrier vehicle and the snowplough during the unhitching.
  - Make sure that the snowplough is resting on a level and firm surface.
  - Make sure the hydraulics of both the carrier vehicle and the snowplough are depressurized before disconnecting hydraulic lines.
- 

**Warning**

Persons in the turning or working range of the snowplough.

Risk of serious injury or death.

- Do not stand in the turning or working range of the snowplough.
- 

**Warning**

Careless starting of the vehicle.

Risk of serious injury or death.

- Check the surrounding area before driving or operating the snowplough.
  - Make sure that visibility is sufficient.
  - Start driving only when no persons or objects are nearby.
- 

**Warning**

Altered driving and braking characteristics.

Risk of serious injury or death.

- Adjust your driving to the dimensions and additional weight of the snowplough.
  - Adjust your speed to the road conditions, snow, and traffic.
  - Raise the snowplough when driving in reverse.
-

**Caution**

Carrying objects on the snowplough.

Risk of property damage.

- Do not carry objects on the snowplough.
- 

**Caution**

Ignoring regulations on operating attachments on public roads.

Risk of injury or property damage.

- Observe the regulations for attachments (Germany: VkB1. 1990, p. 562).
  - Take precautions to compensate for limitations to the field of view.
- 

**Caution**

Ignoring traffic safety regulations.

Risk of injury or property damage.

- Make sure that the snowplough complies with applicable traffic safety regulations.
  - Mount the required lighting, warning, and safety equipment.
  - Observe all applicable rules regarding dimensions and weight, the maximum permitted axial load, tire load capacity, total weight as well as national speed limits.
- 

**Caution**

Operating the snowplough in spite of malfunctions.

Risk of injury or property damage.

- Stop the snowplough immediately in case of malfunctions.
  - Repair the fault immediately or have it repaired at a workshop.
- 

**Caution**

Leaving the snowplough in an unprotected area.

Risk of injury or property damage.

- Do not leave the snowplough in a heavily frequented area or an area that is accessible to children.
-

## 4.4 Maintenance

---



### Warning

Ignoring safety regulations.

Risk of serious injury or death.

- Always observe the safety regulations during maintenance work.
- 



### Warning

Electric shock during maintenance work.

Risk of serious injury or death.

- Disconnect the power supply before working on an electrical device.
- 



### Caution

Ignoring maintenance intervals.

Risk of injury or property damage.

- Observe the indicated maintenance intervals.
- 



### Caution

Use of improper spare parts.

Risk of injury or property damage.

- Use only genuine parts for repairs.
- 



### Caution

Maintenance work without the necessary technical expertise or without suitable tools.

Risk of injury or property damage.

- Carry out maintenance work only if you have the necessary technical expertise and suitable tools.
-

**Caution**

Careless handling of oil or lubricants.

Risk of injury.

- Prevent oil and lubricants from coming into contact with skin.
  - Protect your skin with hand lotions or oil-proof gloves.
  - Never use oil or lubricants to clean your hands.
  - Replace soiled or oily clothing as soon as possible.
- 

**Caution**

Oil leaking from the hydraulic system.

Risk of injury or property damage.

- Inspect all pipes, hoses, couplings, and fittings for leaks and external damage.
  - Use only suitable tools for testing.
  - Repair any defects immediately.
  - Replace hydraulic hoses every three years.
- 

**Caution**

Cleaning with a high-pressure cleaner.

Risk of property damage.

- Clean bearings, plastic parts, and hydraulic hoses at low pressure only.
- 

**Caution**

Cleaning of metal surfaces.

Risk of property damage caused by detergents.

- Do not use aggressive detergents for cleaning.
- 

**Caution**

Welding work on the electrical wiring.

Risk of property damage.

- Disconnect the battery of the carrier vehicle before carrying out any welding work on the attached snowplough.
-




**Caution**

Loose bolt connections.

Risk of property damage.

- Retighten loose bolt connections after any cleaning or maintenance work.

## 4.5 Labeling

Marking	Description
	<p>Never open the gas pressure spring! There is a high pressure hazard. Only the manufacturer may repair a defective gas pressure spring.</p>

## 5 Commissioning

This chapter provides information on the following:

- Chapter 5.1 "*Hitching the snowplough*", page 22
- Chapter 5.2 "*Setting the work position*", page 23
- Chapter 5.3 "*Setting the slide pads*", page 24

### 5.1 Hitching the snowplough

The precise procedure for hitching the snowplough depends on the carrier vehicle. Refer to the user manual of the carrier vehicle.

Also observe the following:

- Connect the hydraulic lines of the hydraulic swivel unit to the carrier vehicle.
- If existing: Connect the lighting.



#### **Danger**

Movement of the carrier vehicle while hitching the snowplough.

Risk of serious injury or death.

- Before hitching the snowplough, engage the carrier vehicle's parking brake, turn off the engine, and remove the ignition key.
  - Never stand between the carrier vehicle and the snowplough during the hitching.
  - Use only the supplied hitch block designed for the vehicle.
  - Attach and secure all locking pins and screws on the carrier vehicle.
- 



#### **Warning**

Hitching the snowplough to a defective carrier vehicle.

Risk of serious injury or death.

- Make sure that the carrier vehicle is in a safe and fault-free condition.
  - Make sure that the carrier vehicle is equipped with a brake mechanism suitable for driving with a snowplough attached.
  - Make sure that the carrier vehicle is capable of carrying the snowplough, and that the snowplough can be hitched.
-

## 5.2 Setting the work position

To operate the snowplough, set the swivel axis of the hydraulic swivel unit to the work position.

How to set the work position:

1. Drive the carrier vehicle with the attached snowplough onto a level and horizontal surface.
2. Lower the snowplough to the ground.
3. Adjust the work position by changing the length of the top link at the carrier vehicle.
4. Adjust the work position so that the swivel axis is exactly vertical.

If you have the roller guide option for wheel loaders, use the roller guide to set the work position (see chapter 12. *"Roller guide for wheel loaders"*, page 31).

## 5.3 Setting the slide pads

Set the slide pads so that the scraper blade and slide pads touch the ground.





## 6 Use

This chapter provides information on the following:

- Chapter 6.1 "Checks before every use", page 25
- Chapter 6.2 "Work speed and safety", page 25
- Chapter 6.3 "Parking the snowplough", page 25

### 6.1 Checks before every use

Check before every use of the snowplough whether the scraper blades and the slide pads are intact and firmly attached. Immediately replace worn scraper blades or slide pads.

Check before every use of the snowplough whether the hydraulic lines are intact and not leaking. Immediately replace defective hydraulic lines.

### 6.2 Work speed and safety

Observe the safety instructions for operation when using the snowplough (see chapter 4.3 "Use", page 16)!

### 6.3 Parking the snowplough

Observe the following when parking the snowplough:

- Clean the snowplough thoroughly and remove salt deposits.
- Apply a rust-proofing agent to protect all uncoated parts on the swivel cylinders against corrosion.
- Make sure the snowplough is on a firm surface when unhitching it.



#### Caution

Leaving the snowplough in an unprotected area.

Risk of injury or property damage.

- Do not leave the snowplough in a heavily frequented area or an area that is accessible to children.
-

## 7 Maintenance

This chapter provides information on the following:

- Chapter 7.1 "Maintenance intervals", page 26
- Chapter 7.2 "Safety", page 26

### 7.1 Maintenance intervals

Perform the following maintenance tasks at the specified intervals:

Interval	Task
Before every use	Check scraper blades. Replace worn scraper blades immediately.
	Check slide pads. Replace worn slide pads immediately.
	Check hydraulic lines.
	If existing: Check lighting.
	If existing: Check blade guide flags.
Monthly	Lubricate the height adjustment mechanism of the slide pads.

### 7.2 Safety

Observe the following for any service and maintenance work:

- Depressurize the hydraulic lines.
- Switch off the carrier vehicle's engine and remove the ignition key.
- Unhitch the carrier vehicle if possible.
- Make sure that both the snowplough and the carrier vehicle are on a firm and level surface. Attach braces if necessary.
- Do not use any parts of the snowplough as a ladder.

Also observe the safety instructions for maintenance (see chapter 4.4 "Maintenance", page 19)!

## 8 Storage

Carry out the following tasks when putting the snowplough in storage at the end of the season:

- Clean the snowplough thoroughly.
- Repair paint any damage.
- Lubricate all moving parts thoroughly.
- Treat all surfaces with protective coatings, e.g. with protective wax or anti-rust spray.
- Protect the snowplough from sunlight.

## 9 Transport

Use only suitable, approved lifting and transport devices when transporting the snowplough.

Make sure that the snowplough does not slide or tip over during transport.

## 10 Decommissioning

The snowplough must be disposed of according to applicable local and national regulations. Properly dispose of all materials according to their waste classification (regular waste, hazardous waste, recycling). Kugelmann Maschinenbau e.K. does not offer a disposal service.

## 11 Technical data

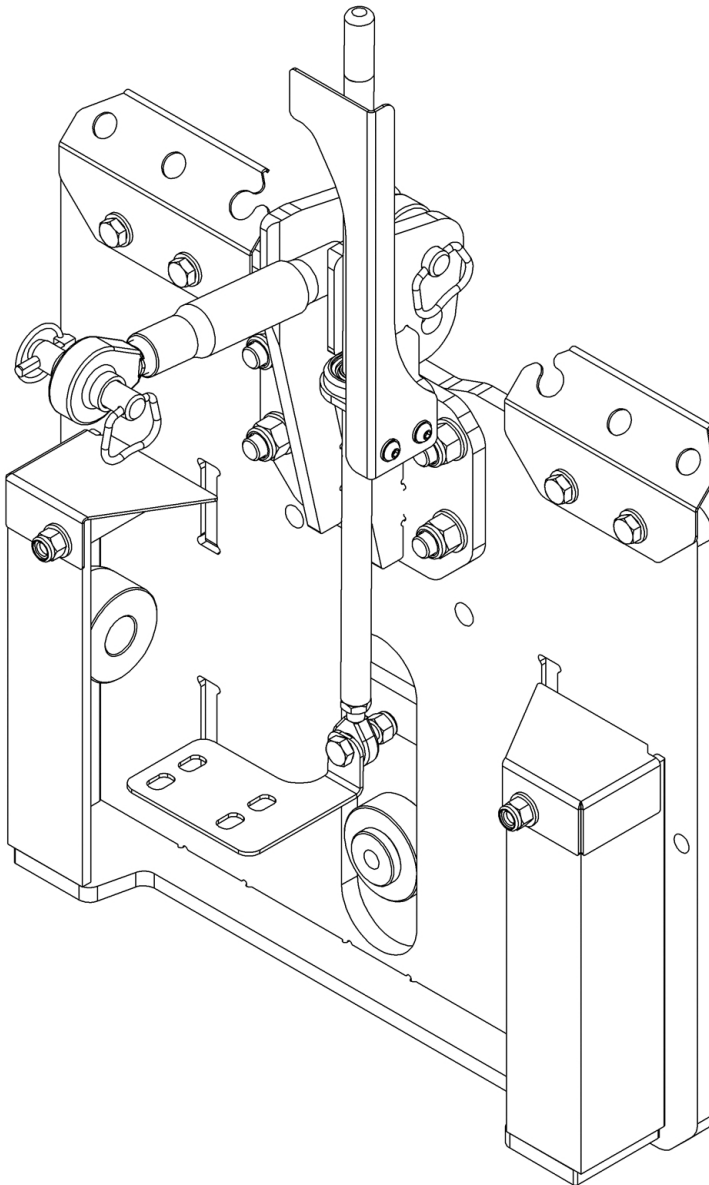
Model	Clearing width [cm]	Width [cm]	Height [cm]	Item no.	Scraper blades		Three-point hitch cat.	Weight [kg]
					Steel	Vulkollan		
B 125/60	110	125	60	10023248	10029846	10023249	0	95
B 140/60	125	140	60	10023250	10029848	10023251	0	105
B 150/60	135	150	60	10023252	10029849	10023253	0	110
B 160/60	143	160	60	10023254	10029850	10023255	0	115
B 180/60	162	180	60	10023258	10029852	10023259	0	125

1 At maximum angle

## 12 Roller guide for wheel loaders

Optionally, the snowplough can be fitted with a roller guide for wheel loaders.

The roller guide makes it possible for the snowplough to follow the contours of the ground to be cleared. The roller guide is part of the hitch block.



When the roller guide option is installed, adjust the snowplough's work position using the lifting device of the wheel loader.

How to set the work position:

1. Drive the carrier vehicle with the attached snowplough onto a level and horizontal surface.
2. Lower the snowplough to the ground.

3. Make sure that the roller guide is positioned in the middle of the compensation path. The red-marked eyepiece indicates the position of the roller guide.
4. Adjust the snowplough's work position using the lifting device of the wheel loader.
5. Set the work position so that the swivel axis of the hydraulic swivel unit is exactly at right angles to the ground.



# Index

<b>C</b>	
Change history.....	9
Checks before every use.....	25
Commissioning.....	22
Components.....	11
Conventions.....	9
Copyright.....	2
<b>D</b>	
Decommissioning.....	29
<b>E</b>	
EC Declaration of Conformity.....	7
<b>F</b>	
Foreseeable misuse.....	13
<b>G</b>	
General description.....	10
Guarantee.....	35, 35
<b>H</b>	
Hitching.....	22
Hydraulic swivel unit.....	23, 32
<b>I</b>	
Identification.....	5
Intended use.....	13
<b>L</b>	
Labeling.....	21

**M**

Maintenance..... 26, 26  
 Safety..... 26  
 Maintenance intervals..... 26

**P**

Parking..... 25

**R**

Roller guide for wheel loaders..... 31

**S**

Safety information..... 14  
 Basic safety information..... 14  
 Commissioning..... 15  
 Maintenance..... 19  
 Use..... 16  
 Scraper blade..... 24  
 Service information..... 6  
 Slide pads..... 24  
 Storage..... 27

**T**

Target group..... 8  
 Technical data..... 30  
 Transport..... 28  
 Type plate..... 5

**U**

Use ..... 25

**W**

Work position..... 23, 31  
 Work speed ..... 25

# Guarantee

Kugelmann Maschinenbau e.K., 87675 Rettenbach a.A., warrants its machines to be free from defects in material and workmanship and undertakes to replace free of charge all parts ex works which have been purchased by relevant Kugelmann dealers and have been acknowledged as defective after having been checked by Kugelmann. The warranty expressly given shall be limited to a period of 12 months from the date of delivery of the machine to purchaser. All further claims by the customer shall be excluded.

Wear parts are excluded from the guarantee.

The manufacturing company does not provide any guarantee for any products manufactured by third parties; however, the manufacturer shall cede to the buyer any claims it might have against sub-suppliers. Furthermore no guarantee is provided for used, second-hand, modified or converted machines.



## Hinweis

Fill in your guarantee card immediately and return it to the manufacturing company. Claims have to be made immediately after occurrence of the damage, at the latest 30 days thereafter, in the form of a written guarantee claim application.

----- ✂

<i>Company</i>	Device type:	.....
<i>Kugelmann Maschinenbau e.K.</i>	Serial no.:	.....
<i>Gewerbepark 1-5</i>	Chassis no.:	.....
<i>87675 Rettenbach a.A.</i>	Year of manufacture:	.....
<i>Germany</i>	Address of the dealer:	.....
		.....
		.....
	Address of the operator/owner:	.....
		.....
		.....

I have read the operating instructions.  
Signature of the operator: .....  
The guarantee card has to be sent to the manufacturer immediately.  
ATTENTION: Warranty claims are only accepted with the warranty card of Kugelmann Maschinenbau e.K.

----- ✂

